

High quality new circuit breaker in China exporter



Overview

This guide decodes the top 10 Chinese circuit breaker manufacturers by what matters most to international buyers: export readiness, actual certifications (not claimed ones), technical capability, and reliability at scale. Another 3 have CE marking but fail IEC 60947-2 third-party verification. And two don't list certifications at all—just. How can I find a reliable supplier for circuit breakers in China?

Discover the perfect Circuit Breaker addition with our Circuit Breaker. Its basic function is to interrupt current flow after a fault is detected.

High quality new circuit breaker in China exporter



Top 10 Circuit breaker manufacturer China Products Compare 2025

With a booming electrical industry, China is home to some of the top factories producing reliable and innovative circuit breakers. In this article, we'll explore the leading manufacturers, their unique ...

[Learn More](#)

"Circuit Breaker"

Discover the top 10 miniature circuit breaker (MCB) manufacturers in China. This updated guide highlights leading brands, their key products, and ...

[Learn More](#)



TOP 10 Circuit Breaker Manufacturers in China

Complete buyer's guide to China's top 10 circuit breaker manufacturers. Certifications, export readiness, and selection criteria for international procurement in 2025.

[Learn More](#)

Top 10 Circuit Breakers Manufacturers in China



Overall, the diverse range of manufacturers in the Chinese circuit breaker market provides customers with a wide selection of products to meet their different needs, and at the same time, promotes the ...

[Learn More](#)



Top 10 Circuit Breaker Manufacturers in China -- 10-Year Update

Discover the top 10 miniature circuit breaker (MCB) manufacturers in China. This updated guide highlights leading brands, their key products, and why they matter for global buyers.

[Learn More](#)

The Top 10 China Circuit Breaker Manufacturers

Here is a look at the top 10 circuit breaker companies in China. It shows each company's main products, special skills, and important features.

[Learn More](#)



Top 10 circuit breaker Suppliers in China

The top 10 suppliers mentioned above, including Deyun Group International Development Co., Ltd., CHINT Group,



Schneider Electric (China) Co., Ltd., and others, each have ...

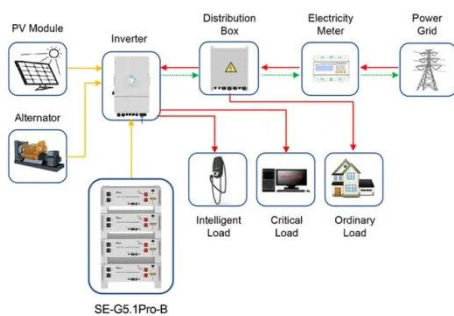
[Learn More](#)

"Circuit Breaker"

They are experienced China exporters for your online sourcing. Update your electrical products and buy from these credible suppliers with the latest China production technology.



[Learn More](#)



Application scenarios of energy storage battery products

Circuit Breaker Suppliers in China: Guide for B2B Buyers

Identify reliable circuit breaker suppliers in China with verified certifications, production capacity, and performance metrics. Evaluate based on ISO 9001, IEC 60947, UL 489, CE, and CCC compliance.

[Learn More](#)

High-Quality Circuit Breakers Supplier and Manufacturer in China

Our company is known for producing top-notch circuit breakers that are designed to meet the highest industry standards.

We offer a wide range of circuit breakers, including thermal-magnetic, high ...

[Learn More](#)



Top Circuit Breaker Manufacturers in China , Reliable Suppliers

Need high-quality circuit breakers? Discover leading Chinese manufacturers offering MCB, RCCB, and MCCB solutions for residential and industrial applications. Click to compare prices ...

[Learn More](#)

Contact Us

For catalog requests, pricing, or partnerships, please visit:
<https://www.v4venison.co.za>

