

Green Power Storage Stocks



Green Power Storage Stocks



Top Renewable Energy & Battery Storage Stocks Worth Investing

The growth prospects for renewable energy and battery storage stocks like AEE, CMS, BE and STEM remain promising, backed by growing global electricity demand.

[Learn More](#)

9 Best Green Energy Stocks to Buy Now

With that in mind, here are nine of the best green energy stocks for investors looking to profit on the still-growing trend toward sustainability. Data is as of June 11.

[Learn More](#)



Top Renewable Energy & Battery Storage Stocks Worth Investing in

...

From an investor's perspective, choosing companies from the renewable energy and battery storage space should be a profitable opportunity. This is because demand for essential services like

[Learn More](#)

The 13 Best Energy Storage Stocks



To Buy For February 2026

Current and potential growth projects include nuclear energy restarts and renewals, solar plus battery storage projects, carbon capture and storage, ...

[Learn More](#)



7 Energy Storage Stocks to Invest In , Investing , U.S. News

Investors interested in grid-scale storage with low risk may want to consider this utility stock instead of more direct and volatile plays on lithium and battery technology.

[Learn More](#)

Top Energy Storage Stocks for 2026: LDES & the Grid-Scale Boom

In this report, we highlight the top energy storage stocks to watch--curated for their exposure to the grid-scale buildout and long-duration energy storage (LDES) innovations. If the last ...

[Learn More](#)



The 13 Best Energy Storage Stocks To Buy For February 2026

Read on to learn about some of the top energy storage stocks on the market and why you should consider investing in them. As the world shifts towards

renewable energy, investment in ...

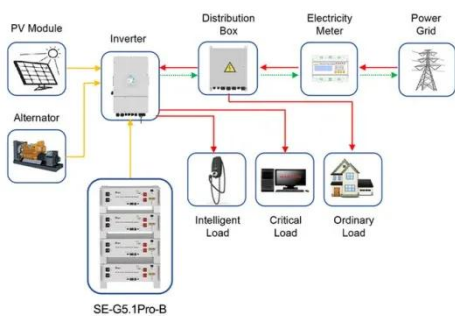
[Learn More](#)



List of Energy Storage Stocks

GreenPower Motor designs, builds and distributes a full suite of high-floor and low-floor all-electric medium and heavy-duty vehicles, including transit buses, school buses, shuttles, cargo van, ...

[Learn More](#)



Application scenarios of energy storage battery products

Best Renewable Energy Stocks to Buy in 2026 and How to Invest in ...

Current and potential growth projects include nuclear energy restarts and renewals, solar plus battery storage projects, carbon capture and storage, and new natural gas capacity.

[Learn More](#)

Clean Tech Moonshots: 7 Energy Storage Stocks to ...

Discover 7 innovative clean tech stocks disrupting energy storage and grid tech. These future-forward picks could deliver 10x returns.

[Learn More](#)

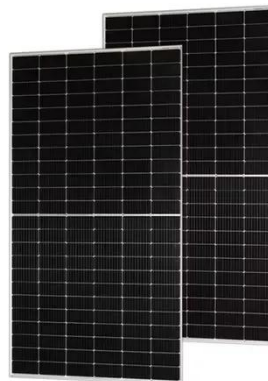
12 Best Energy Storage Stocks to Buy in 2026 , The Future of Green ...

From our research and hours of data analysis, we have come up with the following top energy companies: 1. Tesla Motors. Tesla may be known for its high-end vehicles, including its ...

[Learn More](#)

9 Best Green Energy Stocks to Buy Now

GreenPower Motor designs, builds and distributes a full suite of high-floor and low-floor all-electric medium and heavy-duty vehicles, including transit ...

[Learn More](#)

Contact Us

For catalog requests, pricing, or partnerships, please visit:
<https://www.v4venison.co.za>

