

Gfci circuit breaker in China in Mumbai



Overview

Buy GFCI breakers in Mumbai from Compress India. Protect people and equipment from ground faults with fast-acting ground fault circuit interrupters for HVAC and electrical systems. How can I find a reliable supplier for circuit breakers in China?

Our Gfci Circuit Breaker offers exceptional quality and style within the Circuit Breaker category. Original Brand New BRANCH CIRC BREAKER, THQB1120GFT2, 20 A, 1 P, 120V, GFCI, BOLT ON TYPE. Help Global Buyers Source China Easily. Your browser does not support the video tag.

Gfci circuit breaker in China in Mumbai



Hi frequency GFCIS , Information by Electrical Professionals for

Based on the information provided in the UL-943 meeting when the GFCI-HF was adopted, that does not appear to be the case. Most of the issues is the high frequency leakage ...

[Learn More](#)

GFCI Circuit Breakers in Mumbai

Buy GFCI breakers in Mumbai from Compress India. Protect people and equipment from ground faults with fast-acting ground fault circuit interrupters for HVAC and electrical systems.

[Learn More](#)



GFCI Required on refrigerator? , Information by Electrical

During a final inspection the building inspector in all his wisdom set a GFCI is required on a refrigerator now. It really doesn't make sense for

[Learn More](#)

Gfci Breakers China Trade,Buy China Direct From Gfci Breakers ...

Buy Gfci Breakers China Direct From Gfci Breakers Factories at Alibaba . Help Global Buyers Source China Easily.

[Learn More](#)



GFCI and "Water Source" , Information by Electrical ...

The NEC expanded GFCI protection for dwelling units with basements both finished and unfinished. With considerable urging by manufacturers. -Hal

[Learn More](#)

China Cost-effective Gfci Circuit Breakers Suppliers, Manufacturers

At just a fraction of the cost of traditional GFCI outlets, our affordable black options are the perfect choice for those looking to save money without sacrificing quality. Our outlets are made from high ...

[Learn More](#)



AFCI/GFCI on all breakers

GFCI on the other hand, is an old and proven technology that actually saves lives. However, they don't play well with an ever increasing variety of modern

appliances. You may ...

[Learn More](#)



GFCI Circuit Breaker manufacturers, China GFCI Circuit Breaker

Find GFCI Circuit Breaker manufacturers from China. Import quality GFCI Circuit Breaker supplied by experienced manufacturers at Global Sources.

[Learn More](#)



EVSE and GFCI PROTECTION

The GFCI false trips are vehicle dependent and condition dependent). The protections from an EVSE have the same goal as a NEC GFCI. Anyone wanting a deep dive ...

[Learn More](#)

China Gfci Circuit Breaker, Gfci Circuit Breaker Wholesale

They are experienced China exporters for your online sourcing. Update your electrical products and buy from these credible suppliers with the latest China

production technology.

[Learn More](#)



China GFCI Circuit Breaker Manufacturer & Supplier , Yueqing

...

Find high-quality GFCI circuit breakers from reliable manufacturers in China. Direct factory sourcing ensures top-notch products for your electrical needs. Quality and reliability at competitive prices.

[Learn More](#)

Gfci Circuit Breaker China Trade,Buy China Direct From Gfci Circuit

1288 gfci circuit breaker products are offered for sale by suppliers on Alibaba , of which miniature circuit breakers accounts for 3%, moulded case circuit breakers accounts for 1%, and air circuit

...

[Learn More](#)



China Gfci Breaker, Gfci Breaker Wholesale, Manufacturers, Price

We are here to bring together China

ESS



factories that supply manufacturing systems and machinery that are used by processing industries including but not limited to: circuit breaker, afdd devices, afdd unit.

[Learn More](#)

GFCI 210.8 AFCI changes in 2023 NEC , Information by Electrical

The November issue of EC& M has an article on changes in the 2023 NEC. There are a number of changes regarding GFCI protection. The changes are mostly expansion of ...



[Learn More](#)



Ground Fault Circuit Interrupter (gfc) at Best Price in ...

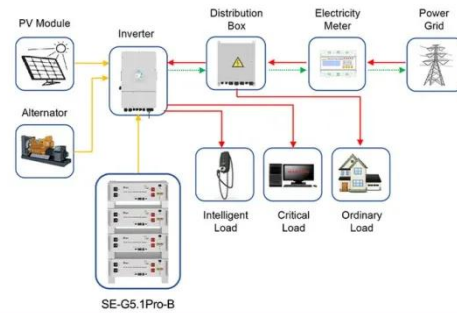
We are highly celebrated trader and supplier of an qualitative range of Ground Fault Circuit Interrupter (GFCI) in Mumbai, Maharashtra, India.

[Learn More](#)

China Gfci Breaker: Made-in-China Gfci Breaker Products & Services

China Gfci Breaker Directory provides list of Made in China Gfci Breaker Products supplied by reliable China Gfci Breaker Manufacturers, Traders and Companies.

[Learn More](#)



Application scenarios of energy storage battery products

ESS



Laundry Dryer requires AFCI GFCI protection? , Information by

Does a 30 amp dryer outlet require AFCI / GFCI protection? I cannot find a dual function breaker for a double pole square d homeline 30 amp breaker only finding GFCI ones. ...

[Learn More](#)

2020 GFCI requirements , Information by Electrical Professionals ...

The requirement for outside GFCI protection at dwelling units requires that the "outlet" have GFCI protection, so it applies to both hard wired and cord and plug connected ...



[Learn More](#)

Range Tripping GFCI (210.8, 555.53) , Information by Electrical

I assume this has been discussed already in this forum but I wasn't able to find a recent thread. NEC 2023



-  Extreme Light Weight
-  X3 Extended Cycle life
-  Low Self Discharge
-  Superior Cranking Power
-  Completely Sealed
-  Environmental

210.8(A)(6) requires all 125-250V single phase receptacles in a ...

[Learn More](#)

Length of conductor on GFCI breaker , Information by Electrical

I would not install a gfci at the panel on long runs as it will causes problems. Can you install a dead front gfci at the end of the run? What are you wiring?

[Learn More](#)



Contact Us

For catalog requests, pricing, or partnerships, please visit:
<https://www.v4venison.co.za>

