

France lead-acid battery cabinet 100kW



France lead-acid battery cabinet 100kW



VRLA battery cabinets

VRLA (Valve Regulated Lead Acid) batteries are lead batteries with a sealed safety valve container for releasing excess gas in the event of internal overpressure. Their development was aimed at limiting ...

[Learn More](#)

Dyness DH100F 100kW

Le Dyness DH100F 100 kW - 100 kWh Battery Cabinet est un système de stockage d'énergie modulaire, refroidi par air, tout-en-un, hautement sécurisé, d'une capacité de 100 kWh et extensible ...



[Learn More](#)



Cooli Smart 100KW/215KWH Energy Storage Air-cooled Cabinet

Unlock energy independence and maximize ROI with the Cooli Smart 100kW/215kWh Air-Cooled Energy Storage Cabinet. Engineered for commercial and industrial resilience, this high-density ...

[Learn More](#)

100KW Battery 232KWh Energy

Storage Cabinet

The 100kw battery pack 232kwh energy storage cabinet is a reliable and efficient battery storage solution for commercial and industrial applications.

[Learn More](#)



100kW 215kWh All-in-One Battery Storage Cabinet

The iCON 100kW 215kWh Battery Storage System is a fully integrated, on or off grid battery solution that has liquid cooled battery storage (215kWh), inverter (100kW), temperature control and fire safety ...

[Learn More](#)

Système de stockage d'énergie tout en un 100kw 215kwh Lithium Battery

L'armoire de stockage d'énergie LiFePO4 100kw 215kwh refroidie par air offre un stockage de batteries au lithium de grande capacité, sûr et efficace avec une gestion thermique avancée pour les ...

[Learn More](#)

Lithium Solar Generator: \$150



100kW/215kWh Outdoor ESS Cabinet , Liquid-Cooled LFP Battery

...

The 100kW/215kWh Outdoor Cabinet is a



high-efficiency, containerized energy storage system built for commercial and industrial applications. Featuring 3.2V/280Ah LiFePO4 cells, it delivers 100kW ...

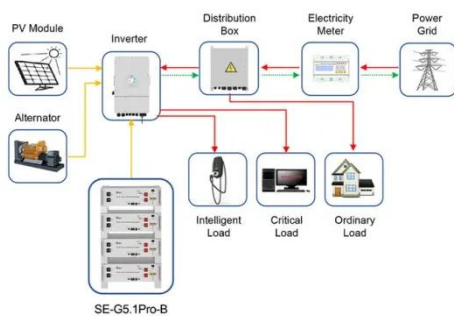
[Learn More](#)

BATTERY CABINETS CATALOGUE

The construction characteristics of the recombination type lead-acid electric accumulators (valve-regulated hermetic accumulators); the absence of acid fumes and the virtual absence of gaseous ...



[Learn More](#)



Application scenarios of energy storage battery products

Armoire haute tension 100 kW/215 kWh Système de batterie au lithium

Système de stockage d'énergie industriel et commercial (BESS) refroidi par air de 100 kW/215 kWh avec un indice de protection IP55, résiste aux environnements difficiles et convient aux installations ...

[Learn More](#)

Stockage sur batterie couplé au courant alternatif à échelle utilitaire

Stockage de batterie couplé au courant

alternatif à l'échelle utilitaire avancée, armoire de stockage d'énergie de 100 kW pour les applications commerciales et industrielles.

[Learn More](#)



Contact Us

For catalog requests, pricing, or partnerships, please visit:
<https://www.v4venison.co.za>

