

Financing Solution for Fast Charging of IP65 Battery Cabinets in Bolivia



Overview

Here, multilateral development banks (MDBs) and Development Financial Institutions (DFIs) can, by virtue of their climate and development mandate and better credit ratings than companies in developing countries, create an impact-multiplier effect on two fronts: generating a “pull factor”. Here, multilateral development banks (MDBs) and Development Financial Institutions (DFIs) can, by virtue of their climate and development mandate and better credit ratings than companies in developing countries, create an impact-multiplier effect on two fronts: generating a “pull factor”. CellBlock battery cabinets, cases and charging racks are a superior solution for the safe handling of lithium-ion batteries and devices containing them. Our practical, durable solutions use CellBlockEX to provide rapid fire-suppression, to keep your assets and personnel safe from the inherent. In this article we consider the role and application of battery energy storage systems (BESSs) in supporting renewable energy power generation and transmission systems and some of the challenges posed in seeking to project finance BESS assets. Large scale deployment of this technology is hampered by perceived financial risks and lack of secured financial models. This article explores why a battery charging safety cabinet is essential, how it meets US and EU regulations. 100kWh Battery, 280Ah LiFePO4 Battery, Air-cooling Energy Storage Cabinet, EV Charging Solutions GSL-100 (DC50) (215kWh) (EV120) 100kWh Solar Battery Storage Cabinet 280Ah LiFePO4 Battery Air-cooling Photovoltaic Charging Energy Storage Cabinet is an efficient and reliable energy storage and.

Financing Solution for Fast Charging of IP65 Battery Cabinets in Botswana



Battery Storage and Charging Solutions

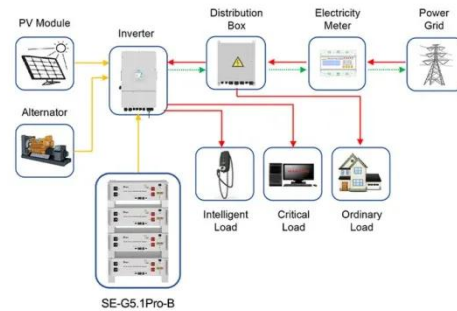
Our practical, durable solutions use CellBlockEX to provide rapid fire-suppression, to keep your assets and personnel safe from the inherent hazards of lithium-ion battery fires.

[Learn More](#)

Battery Cabinet Solutions: Ensuring Safe Storage and Charging for

To address these concerns, the battery cabinet has become a critical safety solution. A lithium-ion battery charging cabinet provides both fire-resistant storage and controlled charging ...

[Learn More](#)



Application scenarios of energy storage battery products



- 100KWH/215KWH
- LIQUID/AIR COOLING
- IP54/IP55
- BATTERY 6000 CYCLES

CellBlock Battery Fire Cabinets

CellBlock Battery Storage Cabinets are a superior solution for the safe storage of lithium-ion batteries and devices containing them. Our practical, durable cabinets are manufactured from aluminum, and ...

[Learn More](#)

Mobile Battery Storage & Portable Energy Cabinets , Topband ...

Our modular energy storage cabinets and energy storage battery cabinets deliver flexible, on-site power for construction, events, telecom, and emergency response.

[Learn More](#)



All-in-One Energy Storage Cabinet & BESS Cabinets , Modular, ...

AZE's All-in-One Energy Storage Cabinet & BESS Cabinets offer modular, scalable, and safe energy storage solutions. Featuring lithium-ion batteries, smart BMS, and thermal management, they're ideal ...

[Learn More](#)

How to finance battery energy storage , World Economic Forum

Battery energy storage systems (BESS) can help address the challenge of intermittent renewable energy. Large scale deployment of this technology is hampered by perceived financial ...

[Learn More](#)



Energy Storage Products , All-scenario ESS & EV Charging Solutions

Our product offerings include hybrid inverters, battery inverters, battery

solutions, solar charge controllers, bypass cabinets, and rectifiers, providing comprehensive solutions for diverse energy ...

[Learn More](#)



Supporting Renewable Energy and Addressing Financing ...

These new services are expected to be provided by energy storage systems and battery systems are well-suited to perform such roles owing to their fast response times.

[Learn More](#)



IP65 Battery Cabinet

A UPS battery cabinet is the perfect solution for keeping your batteries secure and dry. The battery storage cabinet protects from moisture and ensures that your batteries remain in top condition for ...

[Learn More](#)

100kWh Solar Battery Storage Cabinet 280Ah LiFePO4 Battery Air ...

...

Compatible with various EV models and charging standards, offering wide application versatility. Intelligent

management ensures efficient charging and enhances system longevity.

[Learn More](#)



Contact Us

For catalog requests, pricing, or partnerships, please visit:
<https://www.v4venison.co.za>

