

# Ex-factory price of 20MWh energy storage container



## Overview

---

**Battery Chemistry:** Lithium-ion dominates 78% of projects, but sodium-ion is gaining traction with 15% lower costs. **System Capacity:** Prices range from \$400/kWh for 1MWh units to \$320/kWh for 20MWh configurations.

**Customization:** Fire suppression and climate control add 12-18%. Get samples of US\$ 0. Every payment you make on Made-in-China.com is protected by the platform. All-in BESS projects now cost just \$125/kWh as of October 2025. \$387,400 Solar Compatible! 10 Year Factory Warranty 20 Year Design Life The energy storage system is essentially a straightforward plug-and-play system which consists of a lithium LiFePO4 battery pack, a lithium solar charge controller, and an inverter for the voltage. The price of an energy storage container can vary significantly depending on several factors, including its capacity, technology, features, and market conditions. In this article, we will explore the various aspects that influence the price of energy storage containers and provide a comprehensive. Air conditioned for battery system with heater and dehumidifier Remark: Due to space limited, here only show 2 solutions, contact us for other larger or smaller solutions. Because of limited space, above proposal is just for your reference, we have liquid cooling BESS outdoor battery storage.

## Ex-factory price of 20MWh energy storage container



### 100-500KWH Energy Storage Banks in 20 ft. Containers

Each container with all of the equipment will weigh less than 16 tons. Fully tested before being shipped. Factory will provide free installation support and after sales service. Production time is 4-6 weeks. ...

[Learn More](#)

### Energy Storage Container Price: Unraveling the Costs and Factors

In this article, we will explore the various aspects that influence the price of energy storage containers and provide a comprehensive understanding of their cost structure.

[Learn More](#)

LiFePO<sub>4</sub> Battery, safety

Wide temperature: -20~55°C

Modular design, easy to expand

The heating function is optional

Intelligent BMS

Cycle Life: > 4000

Warranty: 10 years



### Is there an equivalent to "née" (birth name) for an \*ex\*-spousal name?

EX is also interesting because 1) Someone's ex is the person they used to be married to or used to have a romantic or sexual relationship with and 2) ex- as a prefix is added to nouns to ...

[Learn More](#)

### Battery energy storage system

**(BESS) container, BESS container -**

Discover TLS advanced Battery Energy Storage System (BESS) containers, designed to support renewable energy integration, stabilize power grids, and reduce energy costs.

[Learn More](#)



48V 100Ah



**Wonvolt Solar Storage 2MW 10mwh 4MW 20mwh Battery Storage ...**

Forced air cooling for power electronics. Air conditioned for battery system with heater and dehumidifier. Remark: Due to space limited, here only show 2 solutions, contact us for other larger or smaller ...

[Learn More](#)

**20mwh Ess Battery Container 4000 Cycle Life LiFePO4 Battery Energy**

These highly adaptable storage containers seamlessly incorporate various advanced storage technologies, making them the ideal choice for a wide range of applications. Experience unmatched ...

[Learn More](#)



**What's the difference between "ex-" and "former" [closed]**

Con conversationally, I agree that ex-wife seems much more common than former



wife. In writing, though, the use of former doesn't seem so rare. Here's an interesting Ngram.

[Learn More](#)

---

## capitalization

When using ex. in a sentence to provide an example, should the E be capitalized? Ask Question Asked 10 years, 7 months ago Modified 10 years, 7 months ago

[Learn More](#)



---

## Container Energy Storage Price Trends: Key Factors and Market ...

Understanding the price of container energy storage products isn't just about upfront costs--it's about optimizing long-term ROI for solar farms, microgrids, and remote industrial sites.

[Learn More](#)



---

## 20mwh Ess Battery Container 4000 Cycle Life LiFePO4 ...

These highly adaptable storage containers seamlessly ...

[Learn More](#)



## How to write a plural form of 'ex' (ex girlfriend..etc)

I saw my ex-boyfriend at the mall yesterday. In plural, The ex-policemen were on a strike demanding justice. or, All of my ex-husbands showed up at my latest wedding! In informal English, ...

[Learn More](#)

## CATL 20Fts 40Fts Containerized Energy Storage System

Individual pricing for large scale projects and wholesale demands is available. Max. Charge/Discharge power. The container system is equipped with 2 HVACs the middle area is the cold zone, the two ...

[Learn More](#)



## Price Comparison of 20MWh Energy Storage Containers for Steel ...

Price Comparison of 20MWh Energy Storage Containers for Steel Plants The price of an energy storage container can

vary significantly depending on several factors, including its capacity, technology, ...

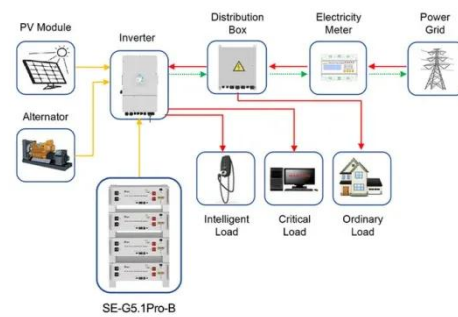
[Learn More](#)



### How cheap is battery storage? , Ember

The price of Lithium Iron Phosphate (LFP) battery cells for stationary energy storage applications has dropped to around \$40/kWh in Chinese domestic markets as of November 2025. ...

[Learn More](#)



Application scenarios of energy storage battery products



### Wonvolt Solar Storage 2MW 10mwh 4MW 20mwh Battery Storage ...

Wonvolt Solar Storage 2MW 10mwh 4MW 20mwh Battery Storage System Bess 20FT 40FT Battery Container Factory Price,multitude of Battery Container factories, Storage System Battery Container ...

[Learn More](#)

### Is there a rule for the correct pronunciation of words starting with "ex"?

I was thinking that this sort of anticipatory assimilation in which the

voicing from the vowel following the ks makes the gz, also applies when the following sound is a voiced consonant, but it ...

[Learn More](#)



Lower cost  
larger system

20Kwh

30Kwh



Verified Supplier



## What is "ex-Government Official" meaning?

In this context, the prefix ex- means former. Wiktionary has this definition: former, but still living (almost always used with a hyphen) ex-husband, ex-president, ex-wife So an ex-government ...

[Learn More](#)

## What's the difference between "e.g." and "ex."? [closed]

E.g. is short for exempli gratia, and is in common use to introduce an example within a sentence. Submit a sample of academic writing, e.g., a dissertation chapter. However, some authors ...

[Learn More](#)



## Contact Us

For catalog requests, pricing, or partnerships, please visit:  
<https://www.v4venison.co.za>

