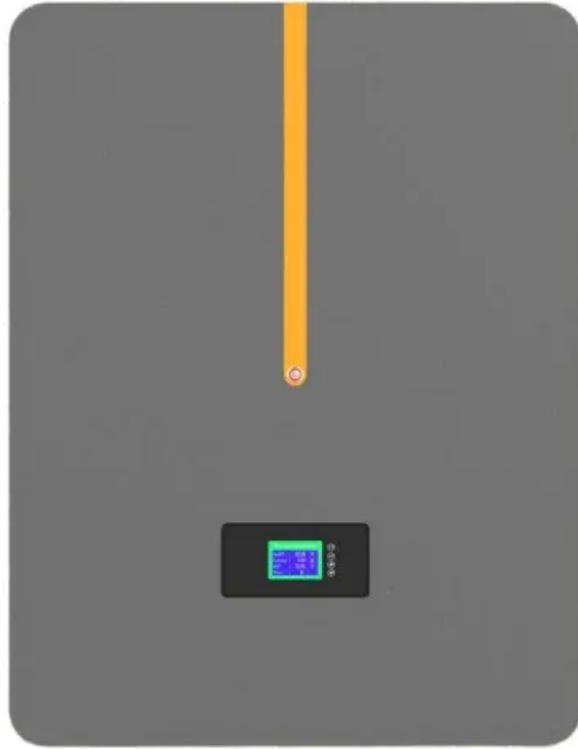


Energy storage system label



Energy storage system label



MIT Energy Initiative conference spotlights research priorities amidst

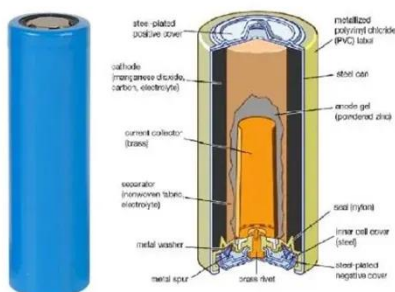
At the MIT Energy Initiative's Annual Research Conference, industry leaders agreed collaboration is key to advancing critical technologies amidst a changing energy landscape.

[Learn More](#)

Energy Storage Labels: Your Guide to Decoding the Power ...

Energy storage labels - those cryptic stickers on batteries and power banks - hold secrets that could save you money, prevent accidents, and even help fight climate change.

[Learn More](#)



Explained: Generative AI's environmental impact

MIT News explores the environmental and sustainability implications of generative AI technologies and applications.

[Learn More](#)

2" x 5" , Energy Storage System

Disconnect

Energy Storage System Disconnect. 2" x 5" - Custom Energy Storage ...

[Learn More](#)



03-511 SOLAR ENERGY STORAGE SYSTEM WRITE-IN LABEL

Permanent Adhesive bonds well to low and high surface energy plastics, painted metals, powder coated paint, polycarbonate and fiberglass. Premium Vinyl Label with white letters, permanent Hi-Tack ...

[Learn More](#)

Unlocking the hidden power of boiling -- for energy, space, and beyond

Unlocking its secrets could thus enable advances in efficient energy production, electronics cooling, water desalination, medical diagnostics, and more. "Boiling is important for ...

[Learn More](#)



A new approach could fractionate crude oil using much less energy

MIT engineers developed a membrane that filters the components of crude oil



by their molecular size, an advance that could dramatically reduce the amount of energy needed for crude oil ...

[Learn More](#)

Energy Storage System Disconnect with Write-Ins

This Energy Storage System Disconnect with Write-Ins - Arc Flash Label can be placed on products, packaging, equipment, and other locations where larger signage might not be a good fit. Made from ...

[Learn More](#)



1" x 4" , Energy Storage System Disconnect , Energy Storage System Labels

1" x 4" , Energy Storage System Disconnect , Energy Storage System Labels - Premium outdoor rated vinyl label 2.75-mil Vinyl. 7 Year Permanent Adhesive. UL certified for UL 969 (USA).

[Learn More](#)



Introducing the MIT-GE Vernova Climate and Energy Alliance

The MIT-GE Vernova Climate and Energy Alliance, a five-year collaboration

between MIT and GE Vernova, aims to accelerate the energy transition and scale new innovations.

[Learn More](#)



J2936_202505 : SAE Electrical Energy Storage Device Labeling

This SAE Recommended Practice outlines labeling guidelines and performance requirements for printed information and warning labels used on components, subsystems, and ...

[Learn More](#)

How artificial intelligence can help achieve a clean energy future

A look at how AI can be used to help support the clean energy transition by helping to manage power grid operations, plan infrastructure investments, guide the development of novel ...

[Learn More](#)



Using liquid air for grid-scale energy storage

Liquid air energy storage could be the lowest-cost solution for ensuring a reliable power supply on a future grid

dominated by carbon-free yet intermittent energy sources, according to a new ...

[Learn More](#)



What's the best way to expand the US electricity grid?

Growing energy demand means the U.S. will almost certainly have to expand its electricity grid in coming years. What's the best way to do this? A new study by MIT researchers examines ...

[Learn More](#)



MIT Climate and Energy Ventures class spins out entrepreneurs -- ...

In MIT course 15.366 (Climate and Energy Ventures) student teams select a technology and determine the best path for its commercialization in the energy sector.

[Learn More](#)



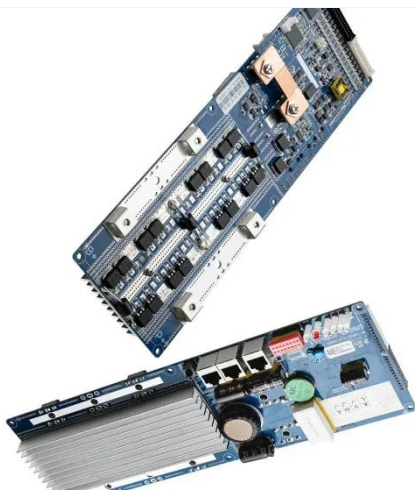
596-00997: HellermannTyton : Solar Label, Printable, ENERGY STORAGE

Meets NEC & IFC standards for printed text, character height, color and outdoor UV stability to pass inspections. Storage Conditions: Store in a sealed package.

Avoid direct heat sources and sunlight.

...

[Learn More](#)



Making clean energy investments more successful

New research emphasizes the importance of well-validated models and forecasting tools in evaluating choices for investments in clean energy technologies and policies by governments and ...

[Learn More](#)

2" x 5" , Energy Storage System Disconnect

Energy Storage System Disconnect. 2" x 5" - Custom Energy Storage System Labels. Write in your own: OK for exposure to: Extreme Heat, Cold, Dry and Highly Humid Climate Conditions. Temperature ...

[Learn More](#)



Solar Label, ENERGY STORAGE SYSTEM DISCONNECT LABEL, ...

HellermannTyton Pre-Printed Vinyl Solar Installation Labels are designed to meet



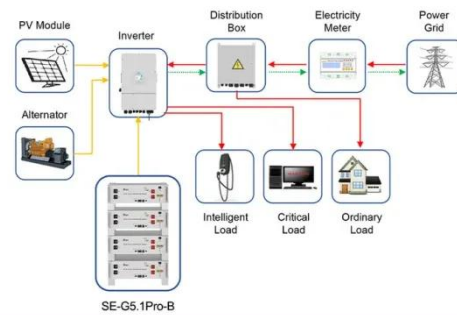
the requirements of the National Electrical Code and the International Fire Code as well as being acceptable to the

...
[Learn More](#)

Fix your labels: NEC 690.56 and 706 signage that passes

Master NEC 690.56 & 706 signage! Get compliant solar & storage labels that pass inspection the first time. Avoid costly delays with our expert guide.

[Learn More](#)



Application scenarios of energy storage battery products



02-67 Energy Storage System Disconnect , Get Solar Labels

Every solar PV system with energy storage must be labeled to meet NEC regulations. Get a 02-64 energy storage system disconnect label for your PV system here.

[Learn More](#)

Contact Us

For catalog requests, pricing, or partnerships, please visit:
<https://www.v4venison.co.za>

