

Energy storage single power station



Overview

A battery energy storage system (BESS), battery storage power station, battery energy grid storage (BEGS) or battery grid storage is a type of technology that uses a group of in the grid to store . Battery storage is the fastest responding on, and it is used to stabilise those grids, as battery storage can transition from standby to full power in u.

Energy storage single power station



The largest single grid type energy storage project in China is

Compared with the same thermal power generation capacity, Xinhua Wushi energy storage project can save 150,000 tons of standard coal and reduce carbon dioxide emissions by ...

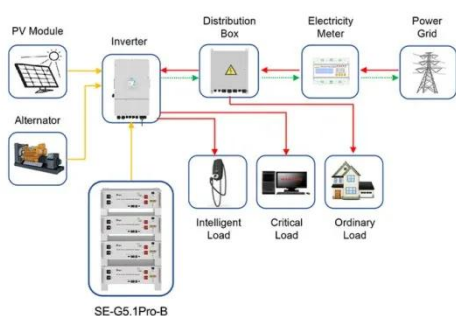
[Learn More](#)

World's Largest Single-Site 4 GWh Energy Storage Station ...

In late 2025, Envision connected the world's largest single-site 4 GWh energy storage power station to the grid in Inner Mongolia, completing a major regional storage cluster.



[Learn More](#)



Application scenarios of energy storage battery products

World's Largest Single-Site Grid-Forming Hybrid Energy Storage ...

Positioned as a core component of the broader Ordos Gushanliang 3GW/12.8GWh energy storage development, the facility is described as the world's largest single-site grid-forming ...

[Learn More](#)

500MW/2GWh! The Largest Single

Independent Energy Storage ...

On July 19, the first batch of 500MW/200MWh energy storage units of Huadian Kashi Million Energy Storage, the largest electrochemical independent energy storage plant in China in ...

[Learn More](#)



Energy Storage Equipment, Energy storage solutions, Lithium battery

Huijue Group offers industrial and commercial energy storage, PV-BESS -EV Charging, Off-grid / On-grid Microgrid, telecom site solutions, and home solar energy storage, ensuring ...

[Learn More](#)

World's largest AI-powered battery storage cluster comes online in

The multi-project cluster includes the world's largest single-site electrochemical energy storage facility: the 4 GWh Envision Jingyi Chagan Hada Energy Storage Power Station.

[Learn More](#)



China's largest single station-type electrochemical energy storage

The project is mainly invested by State Grid Integrated Energy and CATL, which is the largest single grid-side standalone station-type electrochemical energy

storage power station in ...

[Learn More](#)



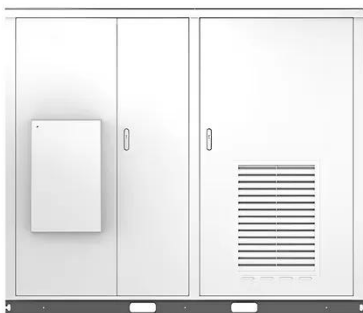
Battery storage power station - a comprehensive guide

This article provides a comprehensive guide on battery storage power station (also known as energy storage power stations). These facilities play a crucial role in modern power grids by storing electrical ...

[Learn More](#)



solar



Battery energy storage system

OverviewConstructionSafetyOperating characteristicsMarket development and deployment

A battery energy storage system (BESS), battery storage power station, battery energy grid storage (BEGS) or battery grid storage is a type of energy storage technology that uses a group of batteries in the grid to store electrical energy. Battery storage is the fastest responding dispatchable source of power on electric grids, and it is used to stabilise those grids, as battery storage can transition from standby to full power in u...

[Learn More](#)

1000kW / 2150kWh Containerized Energy Storage System

The 1000kW / 2150kWh Containerized Energy Storage System is a highly scalable and adaptable energy storage solution for various off-grid and grid applications with demonstrated reliability, ...

[Learn More](#)

Battery energy storage system

Since battery storage plants require no deliveries of fuel, are compact compared to generating stations and have no chimneys or large cooling systems, they can be rapidly installed and placed if ...

[Learn More](#)

Contact Us

For catalog requests, pricing, or partnerships, please visit:
<https://www.v4venison.co.za>

