

Electricity safety mauritania



Overview

Mauritania is embarking on a major initiative to strengthen its national energy infrastructure, backed by a substantial World Bank loan that underscores a global commitment to boosting energy security, expanding electricity access, and integrating sustainable energy solutions. Electricity can be generated in two main ways: by harnessing the heat from burning fuels or nuclear reactions in the form of steam (thermal power) or by capturing the energy of natural forces such as the sun, wind or moving water. of total generation Electricity production tends to closely match. ectricity shortage. Daily blackouts were common in major cities like Nouakchott and Nouadhibou, which had access to only 42 MW and 20 MW of diesel- based ca acity respectively., female-headed households, informally settled people, displaced people or any other vulnerable group identified in the country context)?

Does the plan encourage the leveraging of private-sector financing?

Does the. The electricity sector in Mauritania is characterised by a fragmented electricity network, low electricity access rates, and an imbalance between supply and demand.

Electricity safety mauritania

GRADE A BATTERY

LiFePO4 battery will not burn when overcharged or discharged, overcurrent or short circuited and can withstand high temperatures without decomposition.



Mauritania Secures \$300M World Bank Loan for Energy Security

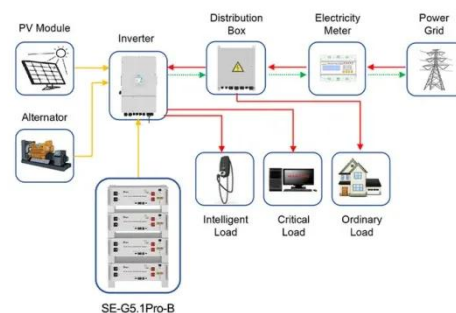
Mauritania is embarking on a major initiative to strengthen its national energy infrastructure, backed by a substantial World Bank loan that underscores a global commitment to ...

[Learn More](#)

Powering Mauritania

Results: Completed in 2023, these projects include the 30 MW Nouakchott wind farm, the 100 MW Boulenouar wind farm, the 50 MW Toujounine solar plant, the National Electricity Control Center ...

[Learn More](#)



Application scenarios of energy storage battery products



Mauritania , Africa Energy Portal

The electricity sector in Mauritania is characterised by a fragmented electricity network, low electricity access rates, and an imbalance between supply and demand.

[Learn More](#)

Access to Electricity in Mauritania , 2025 Trends & Rankings

Access to electricity is the percentage of population with access to electricity. Latest value (2023): 50.3%. Global rank #177 of 193 countries in 2023. Five-year trend shows a 15% increase (2018 ...

[Learn More](#)



Mauritania , Regulatory Indicators for Sustainable Energy

Access country profiles and data on electricity access, renewable energy, energy efficiency, and clean cooking to inform sustainable energy investments and reforms.

[Learn More](#)

Mauritania electricity policy

The electricity sector in Mauritania is characterised by a fragmented electricity network, low electricity access rates, and an imbalance between supply and demand.

[Learn More](#)



Access to electricity (% of population)

Access to electricity (% of population) - Mauritania SDG 7.1.1 Electrification Dataset, World Bank (WB), uri: [trackingsdg7.esmap /downloads](https://trackingsdg7.esmap.com/downloads), note:

Data is downloaded from ESMAP website.

[Learn More](#)



Contact Us

For catalog requests, pricing, or partnerships, please visit:
<https://www.v4venison.co.za>

