

Dual-axis photovoltaic tracking bracket



Dual-axis photovoltaic tracking bracket



photovoltaic tracking brackets

2. Dual-Axis Tracking Brackets (High-Efficiency Niche) Structural Form: It includes a horizontal axis (east-west direction) and a vertical axis (north-south direction). The dual-axis linkage ...

[Learn More](#)

Dual Axis Solar Tracking System Auto Adjust improves 40%+ power

The fully automatic solar tracking bracket has a sensor controller and driver set to track the position of the sun to ensure that the solar panels are always facing the sun to maximize power generation.



[Learn More](#)

Solar Panel Dual Axis Tracking System, Solar Tracker Bracket Kit, 345



The solar tracker is movable in design, foldable for transportation, and can be disassembled into two upper and lower parts. It is easy to carry and install, and can be placed flexibly in various usage ...

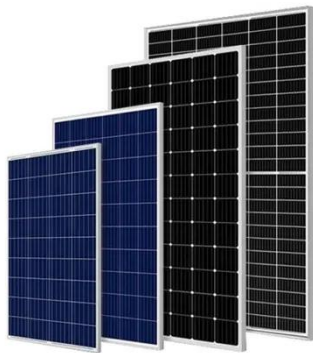
[Learn More](#)

Dual Axis Tracker Solar Systems by

KSI Solar

Our trackers maintain high precision with an internal error of less than 1 degree over 20 years, ensuring accurate positioning of solar panels for maximum energy capture. Our systems feature a single ...

[Learn More](#)



Premium Tilting Solar Panel Mounting Brackets

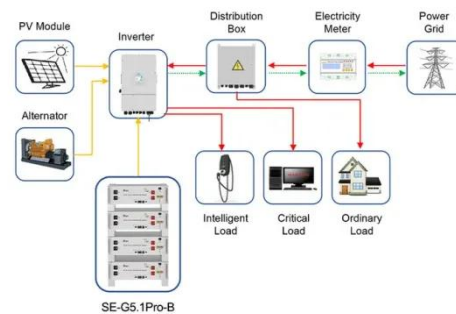
Discover high-performance tilting solar panel mounting brackets featuring advanced dual-axis tracking technology, weather-resistant construction, and intelligent automation.

[Learn More](#)

Solar Panel Tracking & Mounting Systems , NAZ Solar Electric

Tracking mounts come in two variations, single axis mounts, and dual axis mounts. Dual axis mounts track both North and South and East and West to account for the ever-changing position of the sun ...

[Learn More](#)



Application scenarios of energy storage battery products

Best Dual Axis Tracking Solar Panels for Maximum Power Efficiency

Below is a summary table showcasing five top-rated dual axis solar tracking products designed for residential, farm,

and off-grid applications, each featuring reliable controllers, sunlight ...

[Learn More](#)



Dual Axis Solar Tracker Bracket System for PV Modules

Feature highlights: Dual-axis solar tracker system with a 30%-40% increase in power generation efficiency and a simple structure for easy installation. It adapts to site features and weather ...

[Learn More](#)



Best Dual Axis Tracking Solar Panels for Maximum Sunlight

The 1200W solar tracking kit includes six 195W panels and a dual-axis tracker with a 270° movement range. It's designed to provide a daily output around 6.5 kWh under four hours of full ...

[Learn More](#)

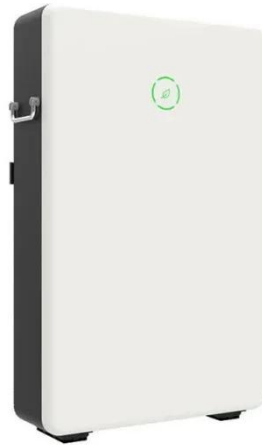


Dual Axis Solar Tracker system

The support part of the dual-axis tracking system is composed of the main pillar, the rotating support and the steel structure bracket, the connecting part is

composed of aluminum profiles and bolts, and the ...

[Learn More](#)



Contact Us

For catalog requests, pricing, or partnerships, please visit:
<https://www.v4venison.co.za>

