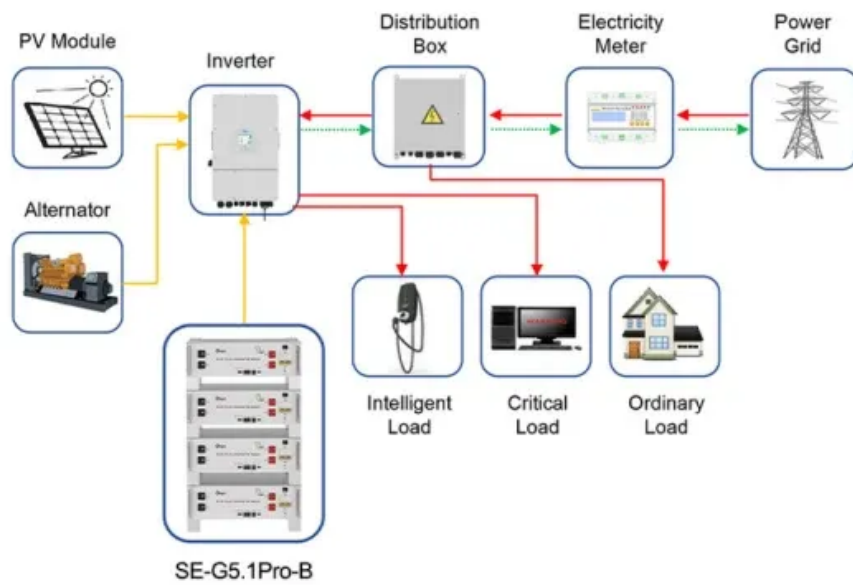


Does the era have energy storage system



Application scenarios of energy storage battery products



Overview

Unlock grid reliability and flexibility with NextEra Energy Resources' advanced battery energy storage solutions for utilities and C&I customers. The Empowering Rural America (New ERA) program is helping rural Americans new clean, affordable, and reliable energy while reducing air and water pollution, New ERA funding improves health outcomes and lowers energy costs for people in rural communities. By storing surplus energy from diverse sources during periods of oversupply and. Electrical Energy Storage (EES) systems store electricity and convert it back to electrical energy when needed. 1 Batteries are one of the most common forms of electrical energy storage. The first battery, Volta's cell, was developed in 1800.

Does the era have energy storage system



The Future of Energy Storage , MIT Energy Initiative

MITEI's three-year Future of Energy Storage study explored the role that energy storage can play in fighting climate change and in the global adoption of clean energy grids.

[Learn More](#)

(PDF) Energy Storage Systems: A Comprehensive Guide

The book concludes by providing insights into upcoming trends and obstacles in the ever-changing domain of energy storage, presenting a comprehensive grasp of this evolving field.



[Learn More](#)



Battery Energy Storage

Unlock grid reliability and flexibility with NextEra Energy Resources' advanced battery energy storage solutions for utilities and C& I customers.

[Learn More](#)

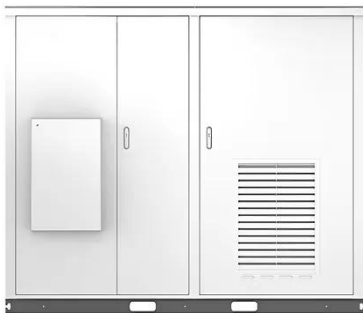
Electric Era (USA) Funding: \$19.8M

Electric Era Technologies develops AI-controlled battery storage for the cost-effective operation of charging

[Learn More](#)



Solar



New ERA Project Announcements

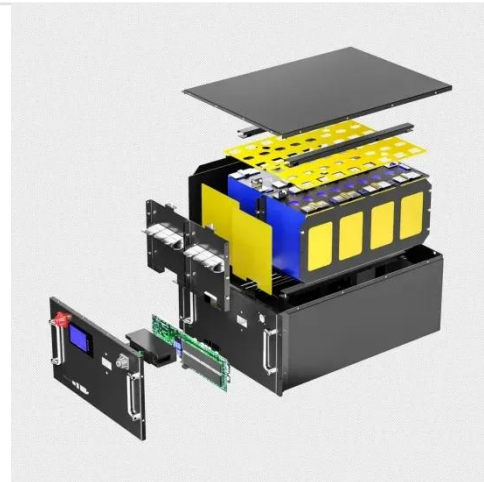
This \$231 million New ERA investment will be used for Kit Carson Electric Cooperative, Inc to construct 104 megawatts of clean, renewable energy from hydrogen and solar facilities with battery energy ...

[Learn More](#)

CLEAN ENERGY DEMONSTRATIONS

The project would help improve resiliency against power outages by deploying solar PV, battery storage, smart controls enabling islanding, and EV charging stations

[Learn More](#)



Energy Storage Strategy and Roadmap , Department of Energy

The underlying motivation for DOE's strategic investment in energy storage is to ensure that the American people will have access to energy storage



innovations that enable resilient, flexible, ...

[Learn More](#)

U.S. Grid Energy Storage Factsheet

Electrical Energy Storage (EES) systems store electricity and convert it back to electrical energy when needed. 1 Batteries are one of the most common forms of electrical energy storage.

[Learn More](#)



The New Era of Thermal Energy Storage

With the increasing demand for warm thermal energy storage, scientists at Lawrence Berkeley National Laboratory are looking at developing next-generation materials and systems to be used as heating or ...

[Learn More](#)

How the Inflation Reduction Act is changing the energy storage ...

To meet its ambitious climate goals, the U.S. must develop 100 gigawatts (GW) of energy storage by 2030. While energy

storage capacity in the U.S. tripled last year, the market has only

[Learn More](#)



Contact Us

For catalog requests, pricing, or partnerships, please visit:
<https://www.v4venison.co.za>

