

# Customized 60kWh Solar Energy Storage Cabinet



## Customized 60kWh Solar Energy Storage Cabinet

---



### 60kwh 24kw Outdoor Energy Storage Cabinet - GSK

Product Features The ES2460P36 product primarily consists of a power battery cluster, a hybrid solar-storage inverter, a variable-frequency temperature control system, a precision suppression and ...

[Learn More](#)

### 500kW Energy Storage Cabinet-60kWH~ 500kWH ...

1.High-Capacity & Scalability 500kW power output with modular design, ...

[Learn More](#)



### Customized 30Kwh 50kwh 60Kwh Solar Energy Storage System ...

As the professional manufacturer of metal boxes and cabinets with over 20 years manufacturing experience in OEM and ODM, we engaged in industrial metal material processing, our company has ...

[Learn More](#)

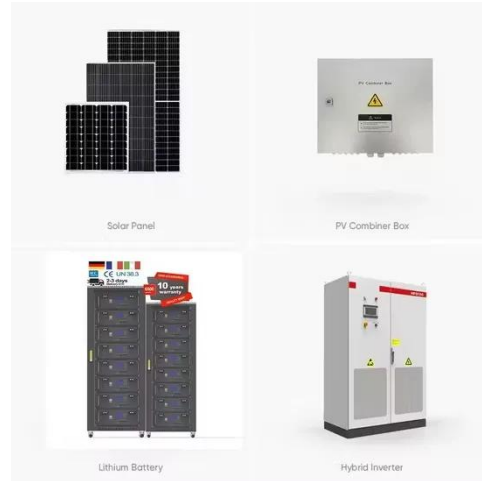


## Energy storage cabinet

Energy Cabinet Huijue proudly presents its revolutionary Energy Cabinet, a pioneering energy storage solution that redefines industrial power backup and management. With its integration of high

...

[Learn More](#)



### Customized Energy Storage Cabinet: From Requirements to ...

Customized Energy Storage Cabinet: From Requirements to Implementation  
As global energy transformation accelerates, customized energy storage cabinets have become pivotal in distributed ...

[Learn More](#)

### Custom-Designed Solar & Storage Systems

At Highjoule, we specialize in designing and manufacturing customized solar and energy storage solutions to meet diverse energy demands -- from grid-tied urban systems to remote off-grid ...

[Learn More](#)



### Energy Storage Cabinet, energy storage system, New Energy ...

Mobile solar container MORE Huijue Group's Mobile Solar Container offers a compact, transportable solar power



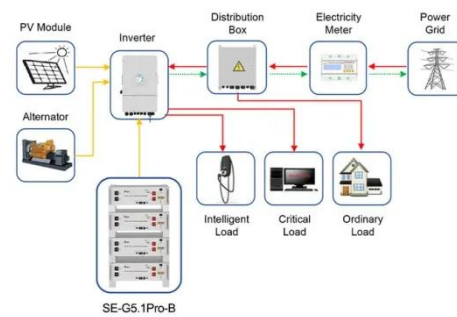
system with integrated panels, battery storage, and smart management, providing ...

[Learn More](#)

### Customized ESS 30kwh 50kwh 60kwh Solar Energy Storage ...

Customized ESS 30Kwh 50kwh 60Kwh Solar Energy Storage System 48v 600ah LiFePO4 Batteries Rack Storage Lithium Battery Cabinet 5.0 (2 reviews) 50000 sold certified Hefei Greensun Solar ...

[Learn More](#)



Application scenarios of energy storage battery products



### 500kW Energy Storage Cabinet-60kWH~ 500kWH Customized ...

1.High-Capacity & Scalability 500kW power output with modular design, supporting expansion up to 1.5MWh (customizable based on your product specs). Seamless integration with existing inverters for ...

[Learn More](#)

## Contact Us

For catalog requests, pricing, or partnerships, please visit:

<https://www.v4venison.co.za>

