

Cost of Grid-Connected Containerized Photovoltaic Storage



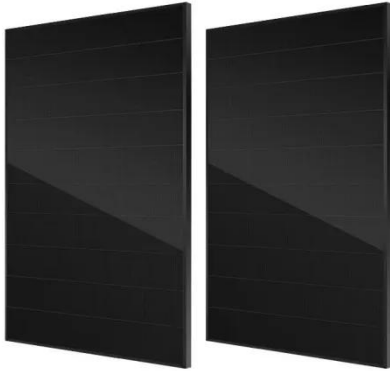
Overview

Grid-tied solar dominates the market for good reason: With 2025 system costs ranging from \$2.00 per watt installed and federal tax credits of 30% through 2032, grid-tied systems offer the fastest payback periods (6-10 years) and highest returns on investment without requiring. Introduction: Why Solar Storage Containers Become the Preferred Solution in 2025 With the accelerating global shift towards renewable energy, solar energy storage containers have become a core solution in addressing both grid-connected and off-grid power demand as a flexible and scalable option. As demand is rising around the world for off-grid power in far-flung, mobile, and emergency applications, people want to know how much does a solar container system cost?

Whether it's NGOs giving refugee camps electricity or construction firms seeking reliable power in undeveloped regions. DOE's Energy Storage Grand Challenge supports detailed cost and performance analysis for a variety of energy storage technologies to accelerate their development and deployment. The U. Department of Energy's (DOE) Energy Storage Grand Challenge is a comprehensive program that seeks to accelerate. Containerized energy storage systems serve multiple sectors with flexible power solutions: Cost Breakdown: What's Inside the Price Tag?

The average 1MW/2MWh system ranges from \$400,000 to \$800,000. This work has grown to include cost models for solar-plus-storage systems. NLR's PV cost benchmarking work uses a bottom-up.

Cost of Grid-Connected Containerized Photovoltaic Storage



Cost-optimized energy storage operation for a grid-connected solar ...

...

Lower battery capacity and moderate price difference minimize grid exchange costs. This study provides a comparative analysis of grid-connected PV-integrated battery storage at individual ...

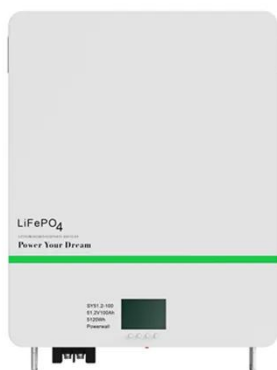
[Learn More](#)

Energy Storage Cost and Performance Database

DOE's Energy Storage Grand Challenge supports detailed cost and performance analysis for a variety of energy storage technologies to accelerate their development and deployment.



[Learn More](#)



How Much Does It Cost to Have a Solar Container System?

Wondering what a solar container system costs? Explore real-world price ranges, components, and examples to understand what impacts total cost--and if it's worth the investment.

[Learn More](#)

2022 Grid Energy Storage

Technology Cost and Performance

...

The 2022 Cost and Performance Assessment provides the levelized cost of storage (LCOS). The two metrics determine the average price that a unit of energy output would need to be sold at to cover all ...



[Learn More](#)



How Much Does a Containerized Energy Storage System Cost? A ...

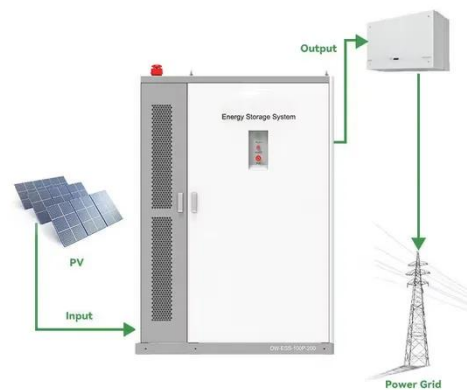
Wondering about the cost of a containerized energy storage system? You're not alone. As industries shift toward renewable energy integration and grid resilience, containerized ESS solutions have ...

[Learn More](#)

Solar Energy Storage Container Prices in 2025: Costs, Applications

...

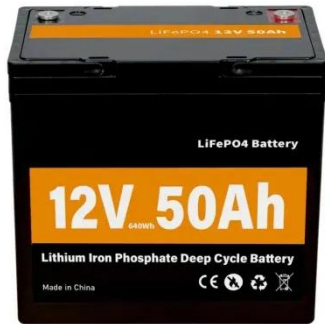
Explore market trends, pricing, and applications for solar energy storage containers through 2025. Learn about key cost drivers, technological advancements, and practical uses in ...



[Learn More](#)

Latest container photovoltaic energy storage price list

Whether it is responding to complex and changing distributed energy storage



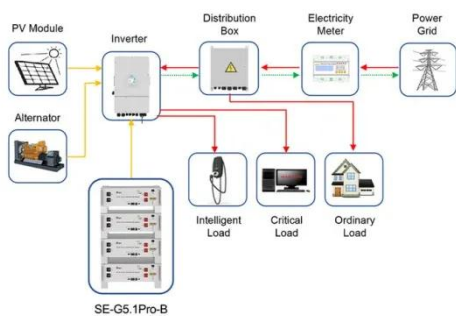
needs or large-scale energy storage projects, MECC's energy storage container system can provide

[Learn More](#)

How much does a grid-connected photovoltaic container for a Middle

Explore market trends, pricing, and applications for solar energy storage containers through 2025. Learn about key cost drivers, technological advancements, and practical uses in ...

[Learn More](#)



Application scenarios of energy storage battery products

Solar Installed System Cost Analysis , Solar Market Research

NLR analyzes the total costs associated with installing photovoltaic (PV) systems for residential rooftop, commercial rooftop, and utility-scale ground-mount systems.

[Learn More](#)

Global Container Photovoltaic Power System Market Size, Share

A notable example is a 5 MW containerized array in Jiangsu, China, installed and grid-connected in 12 days, compared with ~30 days for

conventional setups, translating into substantial labor ...

[Learn More](#)



Contact Us

For catalog requests, pricing, or partnerships, please visit:
<https://www.v4venison.co.za>

