

Container assembly power generation case



Container assembly power generation case

DETAILS AND PACKAGING



1 USER MANUAL PDF 2 RJ45 Cable For RS485/CAN 3 Battery in Parallel Cables
4 RJ45 TO USB Monitor Cable 5 M8 Terminal*4

Container Energy Storage Power Station: Innovative Applications and

We specialize in large-scale energy storage systems, mobile power stations, distributed generation, microgrids, containerized energy storage, photovoltaic projects, photovoltaic products, solar industry ...

[Learn More](#)

Diesel Power Modules

From construction sites to factories to entire communities - power modules are the ideal solution to keep you connected. mtu Genset containers offer numerous features and benefits that speed deployment, ...

[Learn More](#)



Containerized, stackable all-in-one generator sets ...

Originally launched for limited markets in 2021, the 40-ft ...

[Learn More](#)



High-Performance Containerised Generator Sets: Mobile Power ...

Discover advanced containerised generator sets featuring remote monitoring, environmental protection, and scalable power solutions for reliable industrial and commercial power generation needs.

[Learn More](#)



Container Generator Units

At MODS, we design and fabricate high-performance generator and power units built from shipping containers. Our solutions provide reliable energy generation and storage for industries, construction ...

[Learn More](#)

Containerized Generators

Simply put, dual packs are two parallel generators in one ISO container: Two 500 kW generators could be paralleled to achieve a 1000 kW output, or two 625 kW generators to achieve 1250 kW. This dual ...

[Learn More](#)



Containerized Generator

With our genset containers offer optimal performance in various site conditions. By maintaining high-quality standards for both the engine and the complete containerized power plant package, we

...

[Learn More](#)

Containerized Power Module (PM) -- ASOTO

Containerized plug-and-play power generation modules (PM) are a convenient and efficient solution for various power generation needs. These modules are housed in a shipping container, making them ...

[Learn More](#)

Containerized, stackable all-in-one generator sets provide turn-key

Originally launched for limited markets in 2021, the 40-ft containerized generator sets were engineered for easy transportation, simple installation and are stackable, offering up to 34% ...

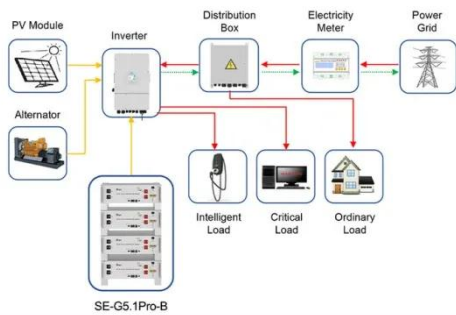
[Learn More](#)

Power Modules: Simplifying Generator Packaging for Efficiency and

At Gulfstream Container, we specialize in containerized generator packaging,

including the design and fabrication of power modules that streamline complex systems into one integrated ...

[Learn More](#)



Application scenarios of energy storage battery products

Containerized Generator Enclosures , BMarko

Welcome to BMarko Structures, the leading provider of custom generator enclosures and containerized solutions. As a trusted generator enclosure manufacturer, we specialize in delivering high-quality, ...

[Learn More](#)

Contact Us

For catalog requests, pricing, or partnerships, please visit:
<https://www.v4venison.co.za>

