

# Container Energy Storage Firefighting Cost



## Overview

---

Discover what drives the pricing of fire suppression systems for energy storage containers and how to optimize safety investments. This guide explores industry-specific cost variables, regulatory requirements, and innovative solutions shaping fire protection in battery energy storage systems. With the rapid development of global renewable energy and energy storage technologies, Battery Energy Storage Systems (BESS) in containers have been widely applied in areas such as grid peak shaving, microgrids, and industrial-commercial energy storage. However, the risk of thermal runaway in. When a 500kWh container system catches fire, the average loss exceeds \$2 million when factoring in: Let's cut through the industry jargon. that by the end of 2023,10,000 megawatts (MW) of BESS will be energizing U. electric grids--10 times the cumulative capacity installed in 2019.

## Container Energy Storage Firefighting Cost

---



### What is a container? , Microsoft Azure

A container, or software container, is a standalone package of software that bundles together application code with the operating system libraries and dependencies required to run it.

[Learn More](#)

---

### Containerized energy storage system , VREMT

Containerized energy storage is an Advanced, safe, and flexible energy solution featuring modular design, smart fire protection, efficient thermal management, and intelligent control for optimal ...



[Learn More](#)

---



### CONTAINER Definition & Meaning

The meaning of CONTAINER is one that contains. How to use container in a sentence.

[Learn More](#)

---

## Energy Storage Container Fire

## Suppression Systems: Comprehensive

"Explore the three most common fire suppression systems used in energy storage containers: total flooding with gas suppression, combined gas and sprinkler systems, and PACK-level solutions. ...



[Learn More](#)



## Energy Storage Container Fire Extinguishing Price: Key Factors and Cost

Discover what drives the pricing of fire suppression systems for energy storage containers and how to optimize safety investments. This guide explores industry-specific cost variables, regulatory ...

[Learn More](#)

## Energy Storage System Safety Whitepaper , IFC vs NFPA 855

A technical overview of energy storage system safety comparing IFC and NFPA 855 requirements, code intent, and key considerations for AHJs and designers.

[Learn More](#)



## Energy Storage Firefighting Costs: Breaking Down Risks, ...

You know those viral videos of battery storage units going up in flames? Well,



Deye inverters and Deye batteries are more compatible.

they're not just dramatic footage--they represent a critical financial risk for renewable energy projects.

[Learn More](#)

## Understanding Photovoltaic Energy Storage Fire Fighting System Costs

Ever wondered why fire safety equipment for solar farms costs more than your average fire extinguisher? Let's decode the economics behind photovoltaic energy storage fire protection systems.



[Learn More](#)



## Essentials on Containerized BESS Fire Safety

Fire Risks of Energy Storage Containers  
Lithium batteries (e.g., LiFePO<sub>4</sub>, NMC) may experience thermal runaway under conditions such as overcharging, short-circuiting, mechanical damage, or ...

[Learn More](#)

## Modern & Functional Container Homes

We are a family owned and operated container home builder. Using a combination of 20- and 40-foot

containers, we create unique, functional, and modern structures.

[Learn More](#)



### **What is a Container? , Docker**

A container is a standard unit of software that packages up code and all its dependencies so the application runs quickly and reliably from one computing environment to another.

[Learn More](#)

### **The Container Store , Organize Your Home with Storage & Closet ...**

Storage & Organization Solutions! Shop for kitchen, closet, travel & home decor at The Container Store. Explore Custom Spaces and contact a designer today.

[Learn More](#)



### **How Much Does Container Energy Storage Cost? A 2025 Breakdown ...**

With the global energy storage market hitting a jaw-dropping \$33 billion annually [1], businesses are scrambling to understand the real costs behind

these steel-clad powerhouses. But ...

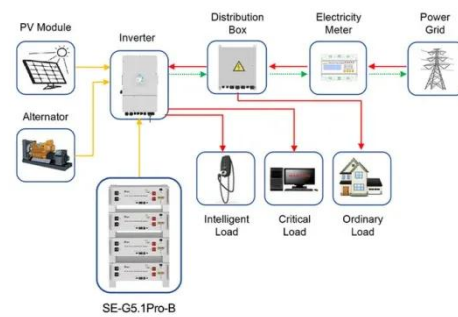
[Learn More](#)



### Essentials on Containerized BESS Fire Safety System-ATESS

With the rapid development of global renewable energy and energy storage technologies, Battery Energy Storage Systems (BESS) in containers have been widely applied in areas such as ...

[Learn More](#)



Application scenarios of energy storage battery products



### Aztec Container

Aztec Container offers high-quality new and used shipping containers for sale and rent across the U.S. Choose from standard, modified, or custom-built containers for storage, offices, and job sites. Fast ...

[Learn More](#)

### Energy storage container cluster fire protection

The combination of a clean gas fire suppression system and a small aerosol fire extinguishing system can solve the fire protection problems of energy

storage power stations, we can achieve a complete ...

[Learn More](#)



### What is a Container

A container is an isolated, stand-alone unit that encapsulates an application and all its dependencies. It runs consistently in any environment, independent of the host system.

[Learn More](#)

### CONTAINER , English meaning

CONTAINER definition: 1. a hollow object, such as a box or a bottle, that can be used for holding something, especially....  
Learn more.

[Learn More](#)

114KWh ESS



## Contact Us

For catalog requests, pricing, or partnerships, please visit:  
<https://www.v4venison.co.za>

