

China 300 watt solar inverter in New-Zealand



China 300 watt solar inverter in New-Zealand



PROJECTA 12V 300W Modified Sinewave Inverter

For convenience of 240V power while camping, the 300W inverter is ideal with the added feature of USB charging. Peak Power Technology runs appliances with high start up loads. Built in safety protection ...

[Learn More](#)

High-Quality Solar Inverters for Efficient Power

Convert solar energy into usable power with our high-performance inverters. Designed for efficiency and reliability, our inverters optimise energy conversion, ensuring maximum output from your solar panels.



[Learn More](#)



Solar Inverters , AA Solar & Sun Power Plus

AA Solar has an extensive range of solar inverters, and solar batteries & panels. Suitable for residential, commercial & leisure applications. Learn more here!

[Learn More](#)

300W 12VDC to 230VAC Pure Sine

Wave Inverter

This convenient mains pure sine wave inverter is perfect when you're looking at powering your sensitive appliances, and where a standard mains socket isn't available.

[Learn More](#)



Waveinverter

We have the largest range of power inverters in New Zealand, and also solar panels, cabling and connectors, deep cycle batteries, battery chargers, circuit breakers, DC componentry, and ...

[Learn More](#)

China Solar Inverter 300 Watt Supplier

As a leading supplier in the industry, we are proud to offer a reliable and efficient solution for harnessing solar energy, Our 300 Watt Solar Inverter is designed to maximize power generation and ensure ...

[Learn More](#)



TAX FREE

ENERGY STORAGE SYSTEM

Product Model
HJ-ESS-215A(100KW/215KWh)
HJ-ESS-115A(50KW 115KWh)

Dimensions
1600*1280*2200mm
1600*1200*2000mm

Rated Battery Capacity
215KWH/115KWH

Battery Cooling Method
Air Cooled/Liquid Cooled



Top 100 Solar Inverter Companies in New Zealand (2025) , ensun

When exploring the solar inverter industry in New Zealand, several key considerations come into play. The

regulatory environment is crucial, as local government policies and incentives significantly ...

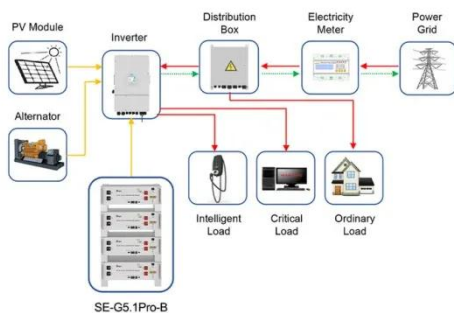
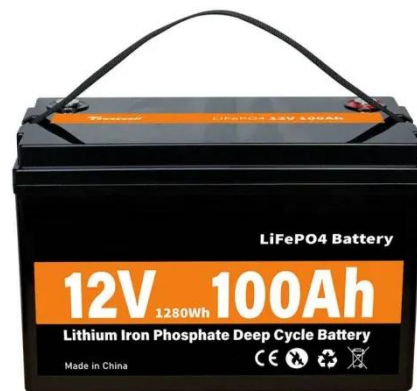
[Learn More](#)



Projecta 12v 300w Modified Sine Wave Inverter PROJECTA IMW300

Inverter Projecta IMW300 inverter Input 12V DC, 32A Max NO LOAD CURRENT DRAW 0.45A Output 230VAC 50Hz (Modified Sine Wave) OUTPUT POWER 300W Continuous (600W Peak) INVERTER ...

[Learn More](#)



Application scenarios of energy storage battery products

OEM Original 300 Watt Solar Inverter From China Factory Off-Grid ...

OEM Original 300 Watt Solar Inverter From China Factory Off-Grid 12V DC AC Power Single Output 60Hz Frequency

[Learn More](#)

Contact Us

For catalog requests, pricing, or partnerships, please visit:
<https://www.v4venison.co.za>

