

# Chad cylindrical solar container lithium battery module



## Chad cylindrical solar container lithium battery module

---



### Chad Lithium Battery Source Manufacturer Powering Global Energy ...

This landlocked African nation has emerged as a strategic partner for lithium battery source manufacturers, combining mineral wealth with cost-efficient production capabilities.

[Learn More](#)

---

### Chad Energy Storage System Lithium Battery

John Cockerill has just commissioned in Chad a NAS& #174; battery system for ZIZ Energie, a company from Chad involved in decentralized energy infrastructure projects for secondary towns.



[Learn More](#)

---

### 6 SOLAR CONTAINER SOLUTIONS FOR CHAD

There are several types of solar systems designed specifically for shipping containers, including off-grid systems, grid-tied systems, and hybrid systems. Each type offers unique advantages and is tailored ...

[Learn More](#)

---



## Cylindrical cell solar container lithium battery

Types of BESS o Lithium-ion batteries:  
These containers are known for their high energy density and long cycle life. o Lead-acid Discover the advantages and disadvantages of cylindrical and ...

[Learn More](#)



## CHAD LITHIUM BATTERY SOURCE MANUFACTURER POWERING ...

What is a mobile solar PV container? High-efficiency Mobile Solar PV Container with foldable solar panels, advanced lithium battery storage (100-500kWh) and smart energy management.

[Learn More](#)

## Cylindrical solar container lithium battery 7 cm

High-efficiency Mobile Solar PV Container with foldable solar panels, advanced lithium battery storage (100-500kWh) and smart energy management. Ideal for remote areas, emergency rescue and ...

[Learn More](#)



## The Complete Guide to Lithium Battery Enclosures: Cylindrical

DLCPO is a leading developer and producer of high-tech lithium-ion, li-polymer, lifepo4, and li-ion battery systems for consumer electronics, digital

devices, GPS tracking systems, home ...

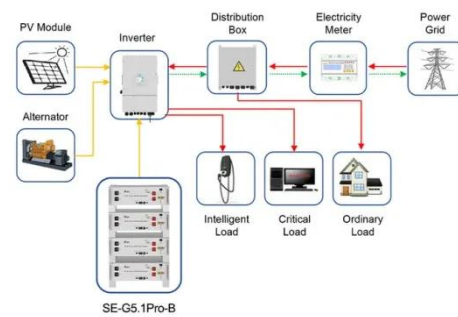
[Learn More](#)



## LITHIUM BATTERY COLUMN AND CYLINDRICAL BATTERY ...

What is a cylinder type lithium ion secondary battery? Cylindrical Type Lithium Ion Secondary Batteries are packaged in metal cans. These batteries can be used at high rate and maintain high capacity.

[Learn More](#)



Application scenarios of energy storage battery products

## Madagascar solar container system lithium battery

MADAGASCAR is an established solution architect and looks forward to engaging with partners to provide solar energy products in Madagascar Solar Power Systems, Lithium Batteries, Solar ...

[Learn More](#)



## Cylindrical solar container lithium battery module cell gap

What is a cylindrical lithium-ion battery module? Peng et al. devised a cylindrical lithium-ion battery module featuring a

compact hybrid cooling system  
integrating PCM and heat pipes. The  
batteries are ...

[Learn More](#)



---

## Contact Us

For catalog requests, pricing, or partnerships, please visit:  
<https://www.v4venison.co.za>

