

Carrier commercial and industrial cabinet wholesale



Carrier commercial and industrial cabinet wholesale



Carrier® Heating & Cooling Systems , Carrier® HVAC Equipment

Carrier® HVAC products are built to last and to withstand years of use in all kinds of weather, but they also offer a 10-year parts warranty on most items. While every piece is different, optional labor ...

[Learn More](#)

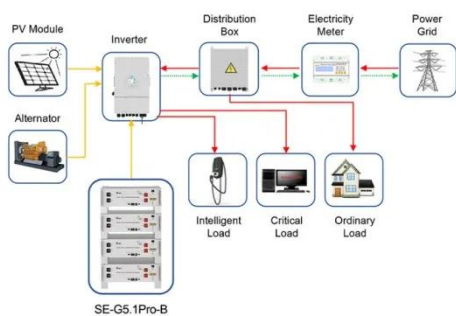
Carrier Commercial , Experts In AC, Heating, And ...

Find your Carrier Factory Authorized Dealer now!

[Learn More](#)



**2MW / 5MWh
Customizable**



Application scenarios of energy storage battery products

HVAC Products , Carrier Commercial Systems North America

At Carrier, we are the experts in HVAC - and we have the history to prove it. Our founder, Willis Carrier invented modern air conditioning more than 110 years ago.

[Learn More](#)

Cabinets for commercial refrigeration applications

Remote cabinets, plug-in cabinets and counters for commercial refrigeration applications include air curtain, multideck and modular cabinets.

[Learn More](#)



Carrier Enterprise

Carrier Enterprise proudly distributes the Carrier®, Bryant & Payne brands of HVAC systems, as well as a full-line of aftermarket parts, supplies & accessories.

[Learn More](#)

Suppliers , Carrier corporate

Founded by the inventor of modern air conditioning, Carrier improves the world around us through engineered innovation and environmental stewardship. Comprehensive supplier information can be ...

[Learn More](#)

CE UN38.3 MSDS



Carrier Commercial Packaged Units

Shop Carrier Commercial Packaged Units at HVACDirect for proven reliability in business use. Free shipping available with wholesale pricing.

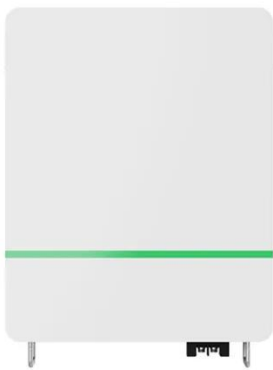


[Learn More](#)

Carrier®

We have cooled many important landmarks around the world for more than 100 years, in addition to airports, education buildings, hotels, office buildings, hospitals, manufacturing facilities and many ...

[Learn More](#)



Shop Industrial Storage Cabinets

Shop our wide variety of heavy-duty industrial storage cabinets, including wall-mount, counter-height, standard-height, and modular cabinets.

[Learn More](#)

Commercial HVAC Products & Solutions , Carrier Commercial

Carrier is fully committed to you, your equipment, and your facility. With Carrier's Commercial Service, you can feel confident knowing every aspect of

your investment is continuously monitored, analyzed, ...

[Learn More](#)



Contact Us

For catalog requests, pricing, or partnerships, please visit:
<https://www.v4venison.co.za>

