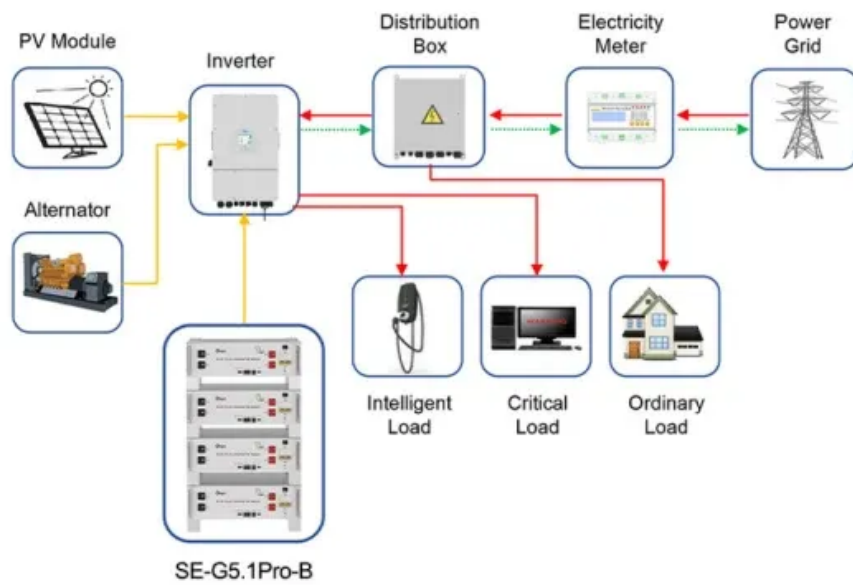


Caracas Smart Photovoltaic Outdoor Cabinet 25kW



Application scenarios of energy storage battery products



Caracas Smart Photovoltaic Outdoor Cabinet 25kW



Outdoor Integrated Energy Storage Cabinet

Optimizing the use of renewable energy: Maximize the use of photovoltaic power during the day, while excess power is stored for use at night. Peak shaving & Valleyfilling: Supply power to the ...

[Learn More](#)

denmark smart photovoltaic energy storage outdoor cabinet 25kw

Explore our collection of denmark smart photovoltaic energy storage outdoor cabinet 25kw to find the perfect solution and get back to adventuring!

[Learn More](#)



Caracas Outdoor Energy Storage Cabinet Supplier: Powering ...

In Caracas' evolving energy landscape, outdoor storage cabinets aren't just equipment - they're insurance policies against uncertainty. By combining rugged reliability with smart energy ...

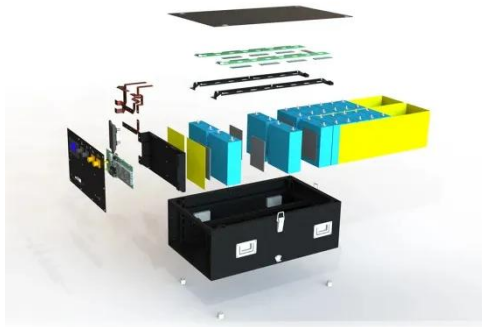
[Learn More](#)



Titan Series

MQK-25~50 suits large residential or small industrial and commercial scenarios. Supports 150% photovoltaic over-allocation, reducing grid demand and strengthening the independence of green ...

[Learn More](#)



25 kW Solar Kits

Compare price and performance of the Top Brands to find the best 25 kW solar system with up to 30 year warranty. Buy the lowest cost 25kW solar kit priced from \$1.12 to \$2.10 per watt with the latest, ...

[Learn More](#)

Outdoor Photovoltaic Energy Cabinet

Combines high-voltage lithium battery packs, BMS, fire protection, power distribution, and cooling into a single, modular outdoor cabinet. Uses LiFePO4 batteries with high thermal stability, extensive cycle ...

[Learn More](#)



CARACAS PHOTOVOLTAIC ENERGY STORAGE LITHIUM BATTERY

Smart integration features now allow multiple containers to operate as coordinated virtual power plants,



increasing revenue potential by 25% through peak shaving and grid services.

[Learn More](#)

25kW Smart Energy Storage Cabinet for Charging Stations

ICEENG CABINET serves customers in 18+ countries across Africa, providing outdoor communication cabinets, power equipment enclosures, and battery energy storage cabinets for telecommunications, ...



[Learn More](#)

LiFePO₄ Battery, safety

Wide temperature: -20~55°C

Modular design, easy to expand

The heating function is optional

Intelligent BMS

Cycle Life: > 6000

Warranty: 10 years



CARACAS DISTRIBUTED ENERGY STORAGE CABINET SUPPLIER

Smart integration features now allow multiple industrial systems to operate as coordinated energy networks, increasing cost savings by 30% through peak shaving and demand charge management.

[Learn More](#)

Energy Storage Cabinet Outdoor 20KW 50KWh/ 30KW 60KWh

Cooperate with solar panels to form an

energy-saving and green photovoltaic storage system, making it easier to build an independent energy storage system for residential and commercial use.

[Learn More](#)



Contact Us

For catalog requests, pricing, or partnerships, please visit:
<https://www.v4venison.co.za>

