

# Are photovoltaic panels afraid of ozone disinfection



## Overview

---

The short answer is that solar PV panels do not have a direct impact on the ozone layer. Without the ozone layer, increased levels of UV radiation would reach the Earth's surface, leading to a range of negative effects, including skin cancer, cataracts, and damage to marine ecosystems. It is important that wastewater be adequately treated prior to disinfection in order for any disinfectant to be effective. Table 1 lists some common molecules that form an unstable gas, ozone (O<sub>3</sub>), which is used to. Are Solar panels bad for the ozone layer?

The answer is yes, but not as bad as CFCs. Aerosols and refrigerants are the primary sources of these gases.

## Are photovoltaic panels afraid of ozone disinfection

---



### Are Solar Panels Bad For The Ozone Layer? Are

Solar panels do not contain ozone-depleting chemicals. Many believe solar energy is the solution to the problem of the rising energy demand. But is solar the solution or is it part of the ...

[Learn More](#)

---

### Solar energy and the environment

Most PV systems have operating lives of up to 30 years or more. The hazardous chemicals used for manufacturing photovoltaic (PV) cells and panels must be carefully handled to avoid releasing them ...



[Learn More](#)

---



### Wastewater Technology Fact Sheet Ozone Disinfection

It is critical that all ozone disinfection systems be pilot tested and calibrated prior to installation to ensure they meet discharge permit requirements for their particular sites.

[Learn More](#)

---

### How do solar cells perform in areas with high levels of ozone?

In areas with high ozone levels, the presence of ozone can contribute to the overall heat absorption in the atmosphere. This can lead to higher ambient temperatures around the solar panels.

[Learn More](#)



### Do solar photovoltaic panels have an impact on the ozone layer?

The short answer is that solar PV panels do not have a direct impact on the ozone layer. Unlike some other technologies, such as refrigerators and air conditioners, solar PV panels do not use ozone ...

[Learn More](#)

### Are Solar Panels Bad for The Ozone Layer (This Is ...)

Solar panels do not contain ozone-depleting chemicals. Many ...

[Learn More](#)



### FAQs for Ozone Systems

Ozone is an unstable molecule under ambient conditions due to the weak bonds holding the third oxygen atom. This instability makes ozone a naturally

powerful oxidizing and disinfecting agent.

[Learn More](#)



### Solar Powered Microplasma-Generated Ozone: Assessment of a ...

Ozonation is widely used in high-income countries for water disinfection in centralized treatment facilities. New microplasma technology has reduced the energy requirements for ozone ...



[Learn More](#)

### Are Solar Panels Bad for The Ozone Layer (This Is ...)

Solar panels help fight against global warming, which will make the ozone hole worse over time and should not be looked at as a replacement for CFCs and other Ozone-depleting ...



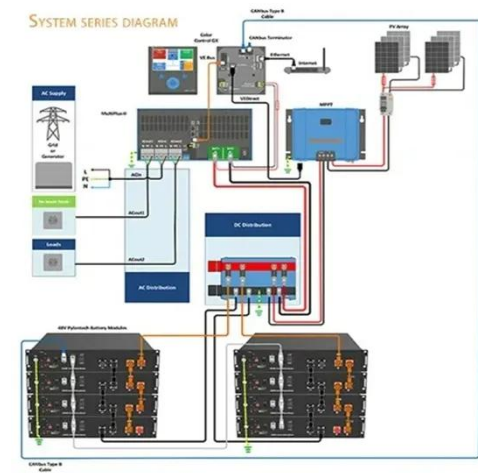
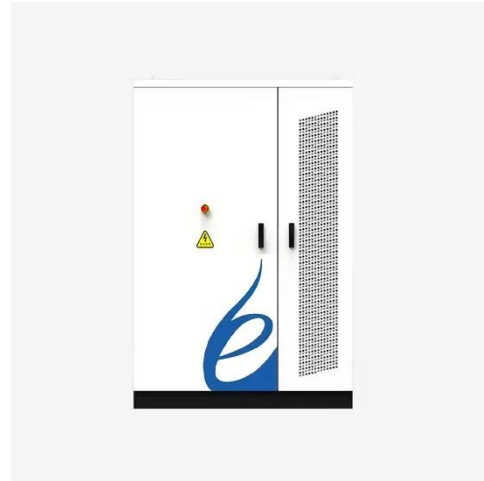
[Learn More](#)

### Are photovoltaic panels afraid of ozone

The two thin-film panels were chosen as potential directions for the future of photovoltaic technology while the silicon

device represents the current solar energy industry

[Learn More](#)



### PV Toxicity Factsheet

Whether you have solar panels on your roof, you see them in the community, or you design and install them for a living, it's important to understand how solar panels safeguard us, our children, and future ...

[Learn More](#)

## Contact Us

For catalog requests, pricing, or partnerships, please visit:  
<https://www.v4venison.co.za>

