

500kWh Energy Storage Inverter Supplier



500kWh Energy Storage Inverter Supplier



China 500KWh Integeated Energy Storage System Manufacturers Suppliers

As one of the leading 500kwh integeated energy storage system manufacturers and suppliers in China, we warmly welcome you to wholesale 500kwh integeated energy storage system for sale here from ...

[Learn More](#)

500kW Energy Storage Cabinet-60kWH~ 500kWH Customized ...

Inverter Expertise: Leverage our proven [Your Brand] inverter technology for seamless DC/AC synergy. Turnkey Solutions: From design to commissioning, all in 3-5 days.

[Learn More](#)



100KVA/500KWh OGM AIO (ALL IN ONE) INDUSTRIAL HYBRID ...

The 100 kVA/500 kWh OGM AIO (All-in-One) Industrial Hybrid Inverter Power System with Integrated 500 kWh Lithium Battery is a comprehensive energy storage solution designed for industrial ...

[Learn More](#)



500 kW/250 kWh Mid-Node , Aggreko US

A flexible mid-node battery energy storage system (BESS) with rapid deployment and remote monitoring - Our 500 kW/250 kWh battery solutions are backed by engineering expertise to help reduce ...



[Learn More](#)



Commercial Energy Storage System , 250KW/500KWH

The 250KW/500KWH commercial energy storage inverters adopt advanced digital control technology and are equipped with the independently developed microgrid management system, which optimizes ...

[Learn More](#)

500kW Solar battery Energy Storage System

Discover our 500kW solar energy storage system featuring high-efficiency solar panels, smart inverters, Grade A LiFePO4 batteries with 8000 cycles and 10-year design life, reliable BMS, liquid cooling, and ...



[Learn More](#)

500KW Inverter

Discover 500kW solar inverters with hybrid grid support, IP20 protection, and

To Strive forward No Energy Waste



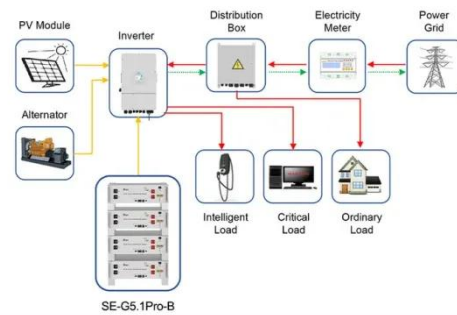
- ✓ All in one
- ✓ 100~215kWh High-capacity
- ✓ Intelligent Integration

CE certification. Ideal for commercial energy storage systems.

[Learn More](#)

500KW Solar Inverter for Energy Storage System

Megarevo PCS MEGA series solar inverter features an integrated design, combining a photovoltaic controller, energy storage converter, and grid-connected/off-grid automatic switching unit, ...



Application scenarios of energy storage battery products

[Learn More](#)



China 500kwh Energy Storage System Manufacturers, Suppliers, ...

We're professional 500kwh energy storage system manufacturers and suppliers in China, specialized in providing high quality products with competitive price. We warmly welcome you to buy 500kwh ...

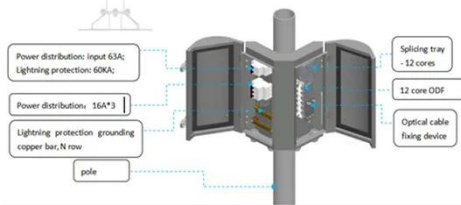
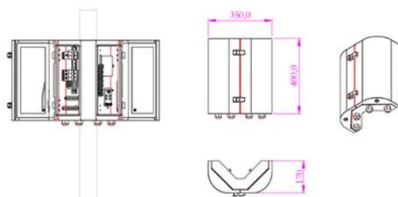
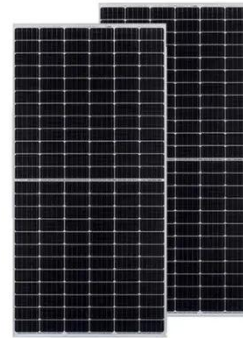
[Learn More](#)

ATESS Energy storage with hybrid inverter 500kW/1000kWh

ATESS Energy storage with hybrid inverter 500kW/1000kWh Commercial solution which can work with ON/OFF

grid (10ms), microgrid, dynamic tariff.

[Learn More](#)



Commercial Energy Storage System , 250KW/500KWH

The 250KW/500KWH commercial energy storage inverters adopt advanced ...

[Learn More](#)

Contact Us

For catalog requests, pricing, or partnerships, please visit:
<https://www.v4venison.co.za>

