

# 48v26a solar battery cabinet lithium battery pack



## 48v26a solar battery cabinet lithium battery pack



### BSLBATT Rack-Mounted Battery for Solar Storage Solutions

BSLBATT's 48V 200Ah 10kWh rack-mount lithium battery - Store your solar power and release it when needed. This 48V 200Ah battery comes with a built-in BMS, providing an array of protection features.

[Learn More](#)

### Lithium Ion Solar Battery PACK 48V

Simple installation, rack stacking or battery cabinet installation, small footprint, low economic cost. Max. 15units in parallel with same specifications. Equipped display and SOCindicator light, easy to ...



[Learn More](#)

### Lithium Ion Solar Battery PACK 48V

Simple installation, rack stacking or battery cabinet ...

[Learn More](#)



## Battery Pack

AURORA LiFePO4 battery packs come in power starting at 5KWh 100Ah and increase up to 15KWh 300Ah. They have 6-10years factory warranties and Maximum 8pcs can be paralleled. These packs ...

[Learn More](#)



On-Grid  
/Off-Grid  
inverter

### **48v Solar Battery - Rated #1 Lithium Battery for Off-Grid!**

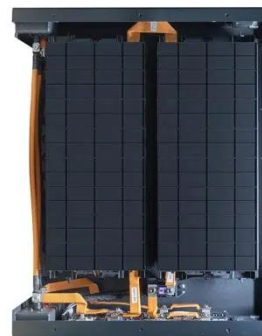
Our 48V lithium solar batteries are built to keep life moving--whether you're off the grid, road-tripping in your RV, or just want peace of mind with a solid backup. Reliable, efficient, and ready when you are. ...

[Learn More](#)

### **AshvaVolt® 48V 26Ah Lithium Ion Rechargeable Battery Pack With ...**

This Li-Ion battery pack is maintenance free, and has a longer run time with a shorter recovery time than equivalent lead acid battery packs. It weighs 70% less and takes 60% less space than equivalent ...

[Learn More](#)



### **48V Solar Batteries , 48 Volt Lithium Battery Banks , A1 SolarStore**

Our team specializes in custom 48V lithium solutions for e-mobility, solar

storage, and industrial applications. Get professional guidance on chemistry selection, BMS configuration, and ...

[Learn More](#)



---

## 48V Lithium Batteries

Experience unmatched power with 48V lithium batteries at RICH SOLAR. These batteries are ideal for large-scale off-grid solar systems, offering a reliable energy source that keeps your systems running

...

[Learn More](#)

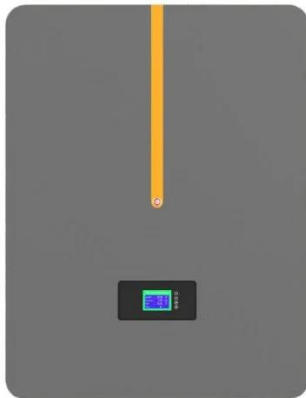


---

## 24V & 48V LiFePO4 Battery Packs , 5-15kWh ...

Safe LiFePO4 24V & 48V battery packs for residential and commercial solar storage. Wall & rack mount options, long cycle life. View the full range.

[Learn More](#)

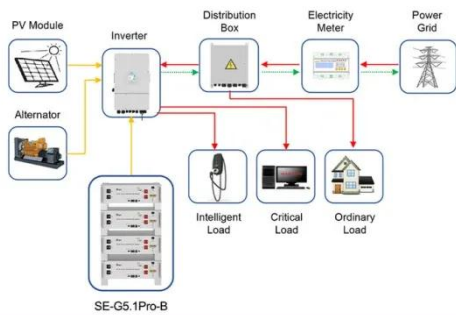


---

## 48V Lithium Battery Pack for off-grid Solar System

LVFU 48V lithium battery pack is made for off-grid systems--big capacity, long life, zero fuss. Safe, solid, and always ready when you need it.

[Learn More](#)



Application scenarios of energy storage battery products

### Amazon : 48v Rack Battery

48V 100Ah Lithium LiFePO4 Solar Battery, Support inverter communication, Built-in 100A BMS with Bluetooth, Max. 5120W Power Output, 6000+ Cycles, Perfect for Off-Grid, Solar, Backup Power

[Learn More](#)

## Contact Us

For catalog requests, pricing, or partnerships, please visit:  
<https://www.v4venison.co.za>

