

30kWh Solar Energy Storage Unit Trading



30kWh Solar Energy Storage Unit Trading



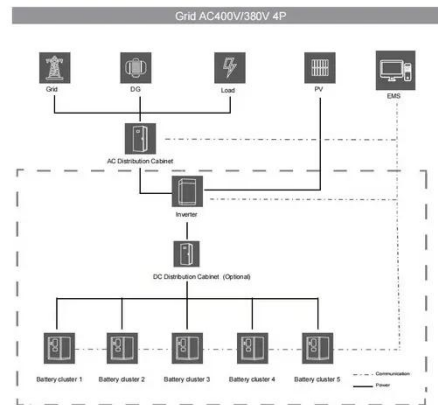
The Complete Guide to 30kW Solar Systems: Costs, Battery Storage ...

Whether you're looking to slash energy bills, achieve energy independence, or reduce your carbon footprint, this comprehensive guide answers your top questions about 30kW solar ...

[Learn More](#)

Victron Energy 3-Phase Storage System - 3x Multi RS Solar with 30 ...

System is plug and play The total conversion power is 15.9kW (15900W) and a battery capacity of 30kWh. The system comes with a 5-year warranty on the Victron equipment and battery. The system ...



[Learn More](#)

30kWh Enphase Ensemble Package

Shop our 30kWh Enphase Ensemble battery backup package to add an energy storage solution to your solar power system.



[Learn More](#)

Trend of 30kWh Solar Battery Storage System in 2025

Discover the rising trend of 30kWh solar battery storage systems. Learn why demand is surging, how policy incentives boost adoption, and which technologies lead the market.

[Learn More](#)



30 kWh Solar Battery

We have solar battery packs available that provide power storage from 1kWh to more than 100 kWh. Learn the price of 30kWh backup battery power storage for the lowest cost 30kWh batteries.

[Learn More](#)

30KWH Solar Battery Storage System Manufacturer/Supplier

Our 30kWh battery storage ensures reliable off-grid power. Discover the affordability of a 30 kilowatt solar system and revolutionize your energy use. Uncover the true cost and benefits of 30kW battery ...

[Learn More](#)

FLEXIBLE SETTING OF MULTIPLE WORKING MODES



LithPower 30kWh Solar Energy Storage System: Compact, Powerful, ...

...

We're excited to introduce our 30kWh



solar energy storage system designed to be powerful, compact, and adaptable to a wide range of inverter brands. Here's a closer look at what ...

[Learn More](#)

30kwh Commercial Solar Energy Battery Storage System

We have High-Volt stacked solar energy storage systems available that provide power storage for commercial energy storage system. Learn the price of 30kWh solar energy battery storage system.



[Learn More](#)



30kW All-in-One Commercial & Industrial Energy Storage System

Tested under multiple operating conditions, this storage system guarantees exceptional durability and consistent performance. Its user-friendly design supports convenient operation and maintenance, ...

[Learn More](#)

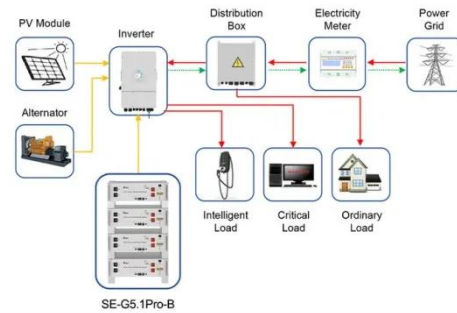
How to Choose the Best 30kWh Energy Storage System: A Complete

...

Discover what to look for in a 30kWh

energy storage system, including key specs, top models, and expert tips for making the right choice.

[Learn More](#)



Application scenarios of energy storage battery products

Contact Us

For catalog requests, pricing, or partnerships, please visit:
<https://www.v4venison.co.za>

